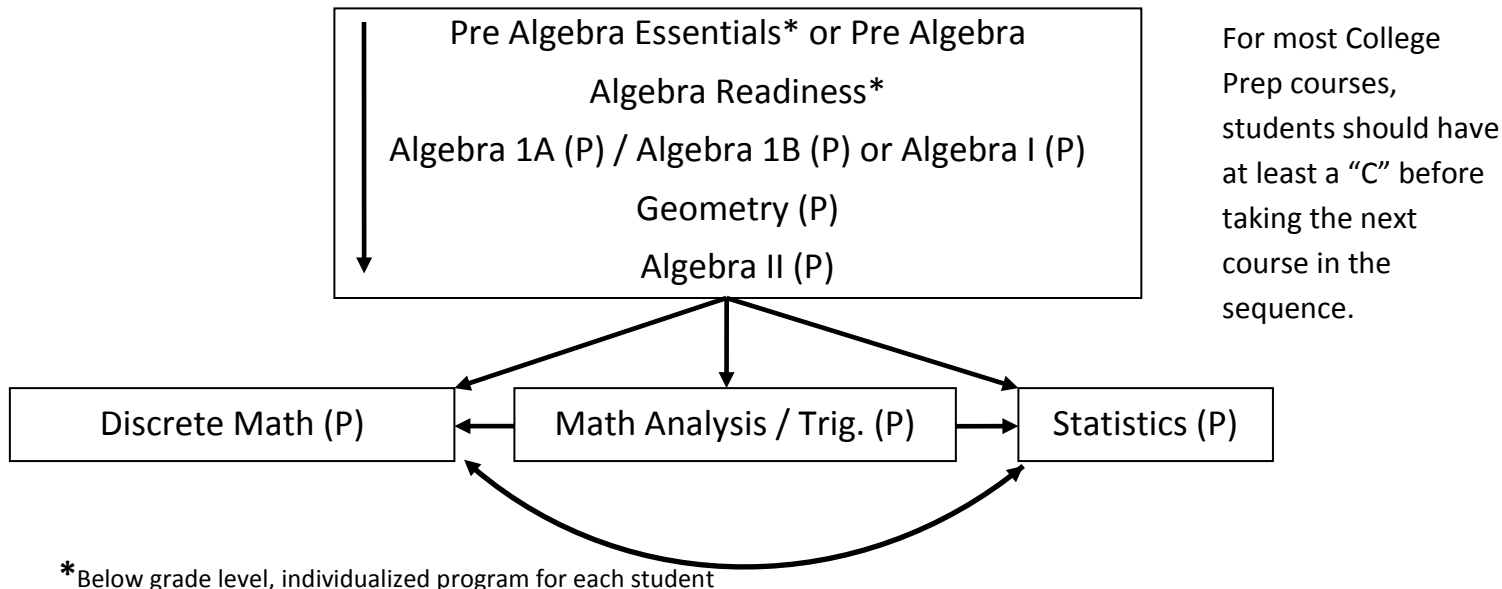


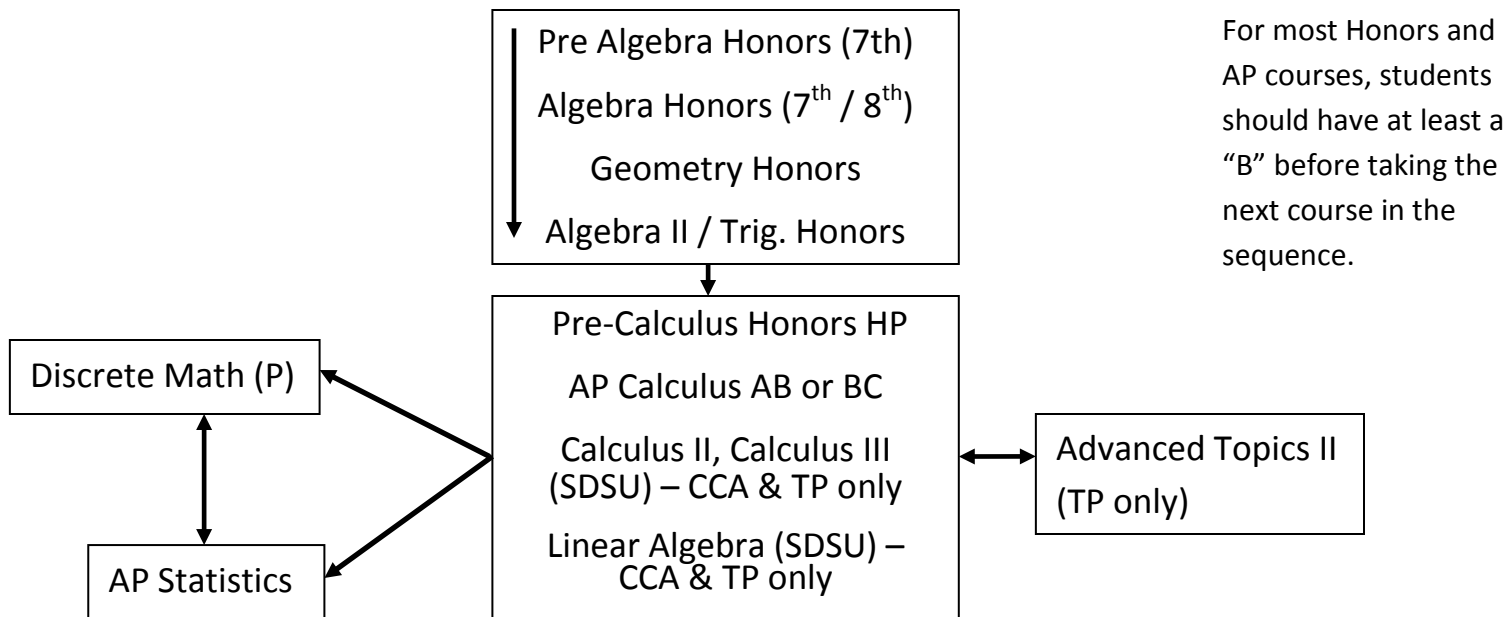
2011-12 MATH PATHWAYS OPTIONS

GRADES 7 – 12

College-Preparatory Courses



Honors & AP Courses



The diagrams above show the course sequence students may follow when choosing math classes. This is the recommendation of the Math Department. Students are not locked into one particular path. For further details about specific course recommendations, please refer to the course profiles on your school's website.